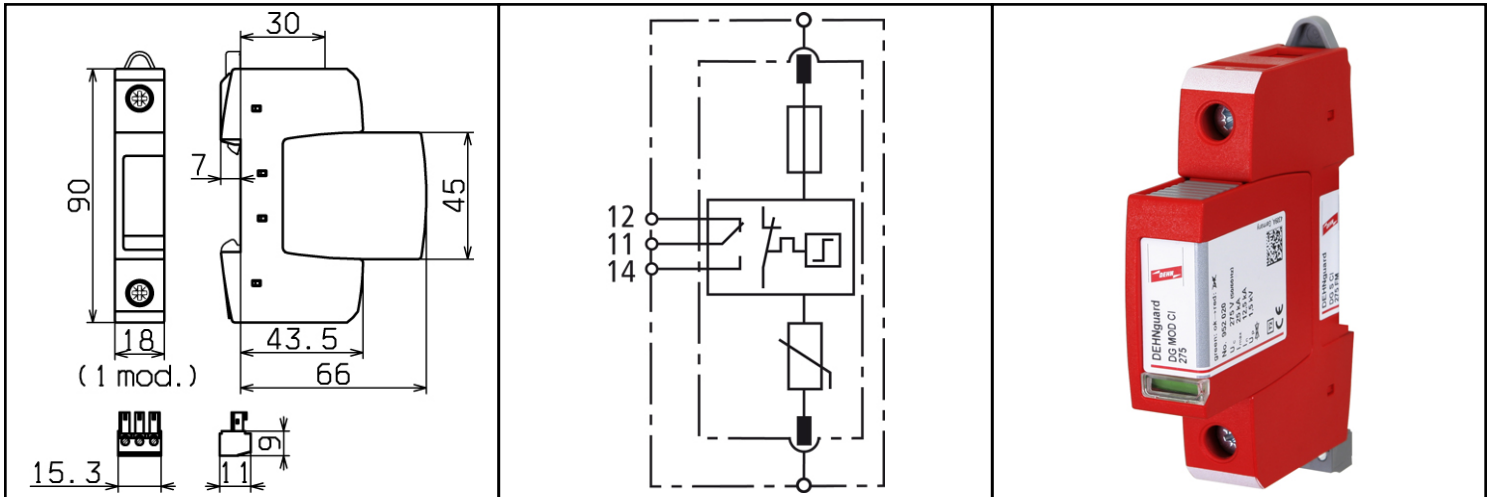


## SPDS TYPE 2

## DG S CI 275 FM



Dimension drawing DG S CI ... FM

Basic circuit diagram DG S CI ... FM

DG S CI ... (FM): Single-pole, pluggable surge arrester consisting of a base part and plug-in protection module; with integrated backup fuse; optionally available with floating remote signalling contact

- Multi-purpose surge arrester consisting of a base part and plug-in protection module with integrated backup fuse
- Easy replacement of protection modules without tools due to module locking system with module release button
- "Thermo Dynamic Control" SPD monitoring device
- Energy coordination within the R/L product family
- Mechanical operating state/fault indication by mark in the inspection window
- ... FM version with floating remote signalling contact

## DG S CI 275 FM

SPD according to EN 61643-11	Type 2
SPD according to IEC 61643-1	Class II
Max. continuous operating a.c. voltage [U <sub>C1</sub> ]	275 V
Max. continuous operating d.c. voltage [U <sub>C1</sub> ]	350 V
Nominal discharge current (8/20 μs) [I <sub>n</sub> ]	12.5 kA
Max. discharge current (8/20 μs) [I <sub>max</sub> ]	25 kA
Voltage protection level [U <sub>p1</sub> ]	≤ 1.5 kV
Voltage protection level at 5 kA [U <sub>p1</sub> ]	≤ 1 kV
Response time [t <sub>A1</sub> ]	≤ 25 ns
Max. mains-side overcurrent protection	not required
Short-circuit withstand capability	25 kA <sub>rms</sub>
Temporary overvoltage (TOV) [U <sub>T1</sub> ]	335 V / 5 sec.
TOV characteristics	withstand
Operating temperature range [T <sub>U1</sub> ]	-40°C...+80°C
Operating state/fault indication	green / red
Cross-sectional area (min.)	1.5 mm <sup>2</sup> solid/flexible
Cross-sectional area (max.)	35 mm <sup>2</sup> stranded/25 mm <sup>2</sup> flexible
For mounting on	35 mm DIN rail acc. to EN 60715
Enclosure material	thermoplastic, red, UL 94 V-0
Degree of protection	IP 20
Capacity	1 mod., DIN 43
Approvals, Certifications	KEMA
Type of remote signalling contact	changeover contact
Switching capacity a.c.	250 V/0.5 A
Switching capacity d.c.	250 V/0.1 A; 125 V/0.2 A; 75 V/0.5 A
Cross-sectional area for remote signalling terminals	max. 1.5 mm <sup>2</sup> solid/flexible

**Ordering information**

<b>Type</b>	DG S CI 275 FM
<b>Part No.</b>	<b>952 099</b>
<b>Packing unit</b>	1 pce

We reserve the right to modify design, technology, dimensions, weights and materials according to technical progress. Illustrations are non-binding. Pictures may differ from the modules described.