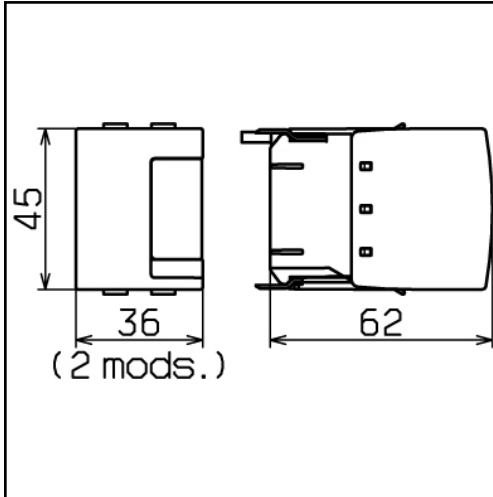
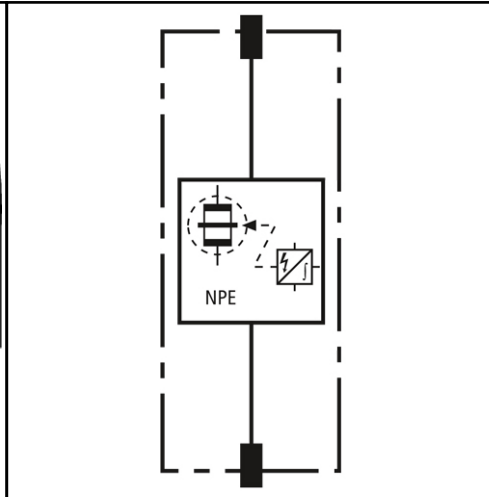


COMBINED SPDS TYPE 1

DV MOD NPE 100



Dimension drawing DV MOD NPE ...



Basic circuit diagram DV MOD NPE ...



DV MOD NPE 50: 50 kA N-PE Spark-gap-based protection module
 DV MOD NPE 100: 100 kA N-PE Spark-gap-based protection module

- High discharge capacity due to powerful creepage discharge spark gap
- Allows for easy replacing of protection modules without tools due to module locking system with releasing button
- Tested for vibration- and shock-proofness acc. to EN 60068-2
- Operating state/fault indication by green and red mark in the inspection window

DV MOD NPE 100	
Max. continuous operating a.c. voltage [U _{C1}]	255 V
Lightning impulse current (10/350 μs) [I _{imp}]	100 kA
Follow current extinguishing capability [N-PE] a.c. [I _{fl}]	100 A _{rms}
Ordering information	
Type	DV MOD NPE 100
Part No.	951 100
Packing unit	1 pce

We reserve the right to modify design, technology, dimensions, weights and materials according to technical progress. Illustrations are non-binding. Pictures may differ from the modules described.