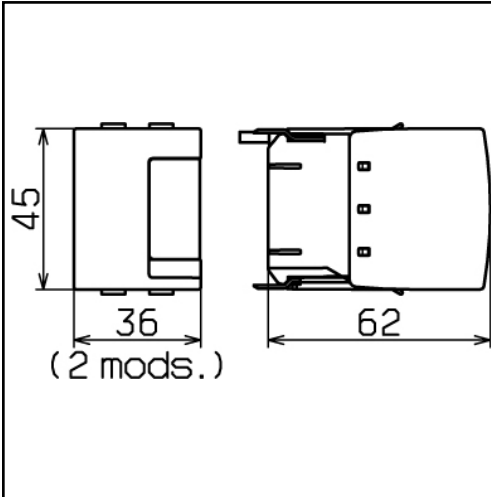
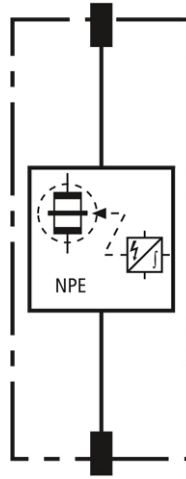


COMBINED SPDS TYPE 1

DV MOD NPE 50



Dimension drawing DV MOD NPE ...



Basic circuit diagram DV MOD NPE ...



DV MOD NPE 50: 50 kA N-PE Spark-gap-based protection module  
 DV MOD NPE 100: 100 kA N-PE Spark-gap-based protection module

- High discharge capacity due to powerful creepage discharge spark gap
- Allows for easy replacing of protection modules without tools due to module locking system with releasing button
- Tested for vibration- and shock-proofness acc. to EN 60068-2
- Operating state/fault indication by green and red mark in the inspection window

DV MOD NPE 50	
Max. continuous operating a.c. voltage [U <sub>c</sub> ]	255 V
Lightning impulse current (10/350 μs) [I <sub>imp</sub> ]	50 kA
Follow current extinguishing capability [N-PE] a.c. [I <sub>fl</sub> ]	100 A <sub>rms</sub>
<b>Ordering information</b>	
Type	DV MOD NPE 50
Part No.	951 050
Packing unit	1 pce

We reserve the right to modify design, technology, dimensions, weights and materials according to technical progress. Illustrations are non-binding. Pictures may differ from the modules described.