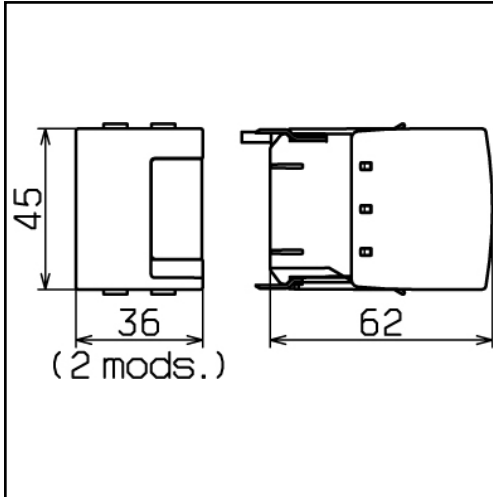
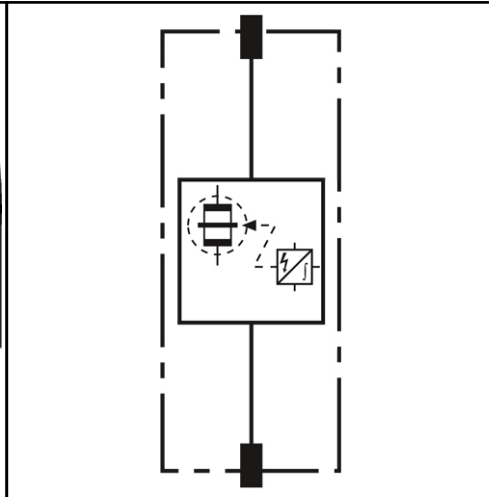


COMBINED SPDS TYPE 1

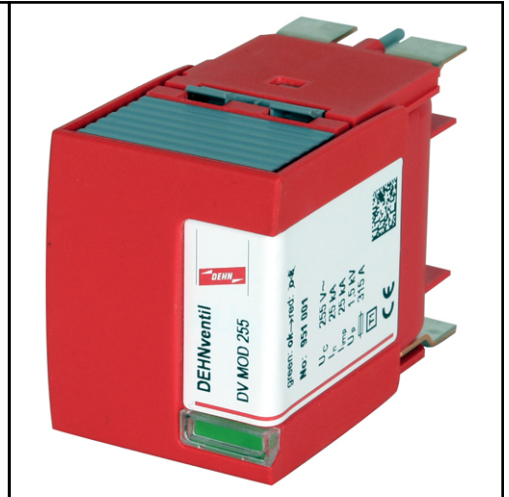
DV MOD 255



Dimension drawing DV MOD 255



Basic circuit diagram DV MOD 255



DV MOD 255: Spark-gap-based protection module

- High discharge capacity due to powerful creepage discharge spark gap
- Maximum system availability due to RADAX Flow follow current limitation
- Allows for easy replacing of protection modules without tools due to module locking system with releasing button
- Tested for vibration- and shock-proofness acc. to EN 60068-2
- Operating state/fault indication by green and red mark in the inspection window

DV MOD 255	
Max. continuous operating a.c. voltage [U _{C1}]	255 V
Lightning impulse current (10/350 μs) [I _{imp}]	25 kA
Follow current extinguishing capability [L-N] a.c. [I _{fl}]	50 kA _{rms}
Follow current limitation/Selectivity	no tripping of a 20 A gL/gG fuse up to 50 kA _{rms} (prosp.)
Ordering information	
Type	DV MOD 255
Part No.	951 001
Packing unit	1 pcs.

We reserve the right to modify design, technology, dimensions, weights and materials according to technical progress. Illustrations are non-binding. Pictures may differ from the modules described.