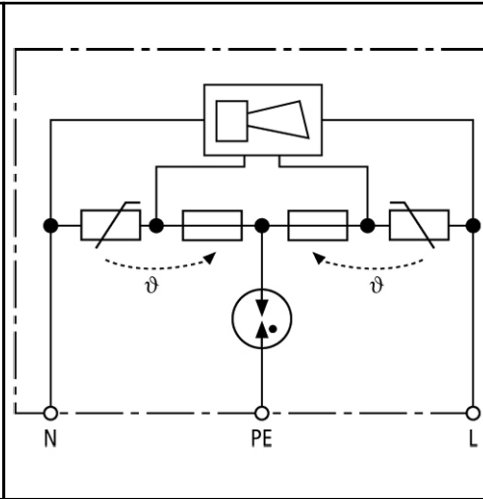
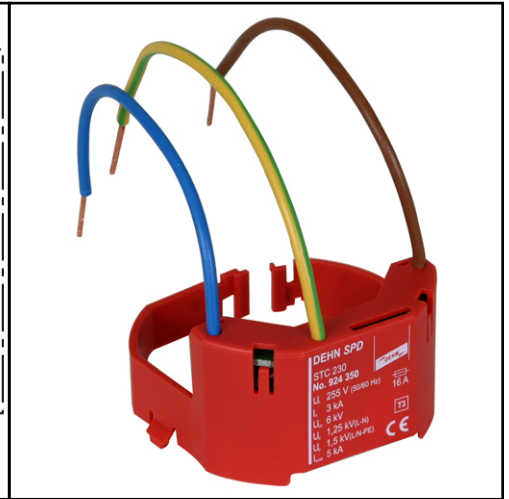


Dimension drawing STC 230



Basic circuit diagram STC 230



STC 230: Two-pole surge arrester for snapping onto socket outlets with earth contact

- Two-pole surge protection with monitoring device and disconnecter
- Maximum safety due to confusion-proof Y protection circuit
- Acoustic fault indicator with optional test function
- For attaching to common socket outlets with earth contact
- Independent from the designs of the socket outlets used
- Plastic supporting ring with latch for easy attaching to already mounted socket outlets

STC 230	
SPD according to EN 61643-11	Type 3
SPD according to IEC 61643-1	Class III
Nominal a.c. voltage [U _N]	230 V
Max. continuous operating a.c. voltage [U _C]	255 V
Nominal discharge current (8/20 μs) [I _n]	3 kA
Total discharge current (8/20 μs) [L+N-PE] [I _{total}]	5 kA
Combined impulse [U _{OC}]	6 kV
Combined impulse [L+N-PE] [U _{OC total}]	10 kV
Voltage protection level [L-N] [U _p]	≤ 1.25 kV
Voltage protection level [L/N-PE] [U _p]	≤ 1.5 kV
Response time [L-N] [t _A]	≤ 25 ns
Response time [L/N-PE] [t _A]	≤ 100 ns
Max. mains-side overcurrent protection	16 A gL/gG or B 16 A
Short circuit withstand capability for mains-side overcurrent protection with 16 A gL/gG	6 kA _{rms}
Temporary overvoltage (TOV) [L-N] [U _T]	335 V / 5 sec.
Temporary overvoltage (TOV) [L/N-PE] (I) [U _T]	400 V / 5 sec.
Temporary overvoltage (TOV) [L/N-PE] (II) [U _T]	1200 V + U ₀ / 20
Operating temperature range [T _U]	-25°C...+40°C
Terminal wires	1 mm ² , length: 120 mm
For mounting on	common socket outlets with earth contact
Enclosure material	red thermoplastic, UL 94 V-2
Degree of protection of installed device	IP 20
Dimension	53 x 53 x 32 mm
Indication of disconnecter	acoustic signal on
Ordering information	
Type	STC 230
Part No.	924 350
Packing unit	1 pcs.

We reserve the right to modify design, technology, dimensions, weights and materials according to technical progress. Illustrations are non-binding. Pictures may differ from the modules described.