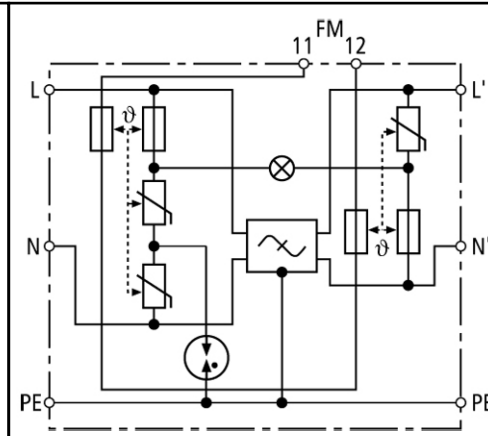


Dimension drawing SPS PRO



Basic circuit diagram SPS PRO



SPS PRO: Surge arrester with interference suppressor filter

- Combination of surge protection and filter
- Surge protection with monitoring device and disconnecter
- Interference suppressor filter for protecting sensitive industrial electronic systems against balanced and unbalanced high-frequency interferences
- Installed into a shielded enclosure
- Visual operating state indication (green) and floating remote signalling contact (break contact) for fault indication

SPS PRO	
SPD according to EN 61643-11	Type 3
SPD according to IEC 61643-1	Class III
Nominal a.c. voltage [U <sub>N</sub> ]	230 V
Max. continuous operating a.c. voltage [U <sub>C</sub> ]	255 V
Nominal load current a.c. [I <sub>L</sub> ]	3 A
Nominal discharge current (8/20 μs) [I <sub>n</sub> ]	3 kA
Total discharge current (8/20 μs) [L+N-PE] [I <sub>total</sub> ]	5 kA
Combined impulse [U <sub>OC</sub> ]	6 kV
Combined impulse [L+N-PE] [U <sub>OC total</sub> ]	10 kV
Voltage protection level [L-N] [U <sub>pl</sub> ]	≤ 0.8 kV
Voltage protection level [L/N-PE] [U <sub>pl</sub> ]	≤ 1.0 kV
Response time [L-N] [t <sub>A</sub> ]	≤ 25 ns
Response time [L/N-PE] [t <sub>A</sub> ]	≤ 100 ns
Short circuit withstand capability for max. mains-side overcurrent protection	6 kA <sub>rms</sub>
Indication of disconnecter	green light off
Operating state indication	green light
Operating temperature range [T <sub>U</sub> ]	-10°C...+40°C
Cross-sectional area (min.)	0.14 mm <sup>2</sup> solid/flexible
Cross-sectional area (max.)	2.5 mm <sup>2</sup> stranded/flexible
For mounting on	35 mm DIN rail acc. to EN 60715
Enclosure material	aluminium, red powder coating
Degree of protection	IP 20
Dimension	7 mods., DIN 43880
Type of remote signalling contact	break contact
Switching capacity a.c.	250 V/0.5 A
Switching capacity d.c.	250 V/0.1 A; 125 V/0.2 A; 75 V/0.5 A
Cross-sectional area for remote signalling terminals	max. 1.5 mm <sup>2</sup> solid/flexible
Mains filter	acc. to DIN VDE 0565 Part 3
Attenuation for f = 1 MHz, balanced	≥ 73 dB
Attenuation for f = 1 MHz, unbalanced	≥ 45 dB

**Ordering information**

<b>Type</b>	SPS PRO
<b>Part No.</b>	<b>912 253</b>
<b>Packing unit</b>	1 pce

We reserve the right to modify design, technology, dimensions, weights and materials according to technical progress. Illustrations are non-binding. Pictures may differ from the modules described.