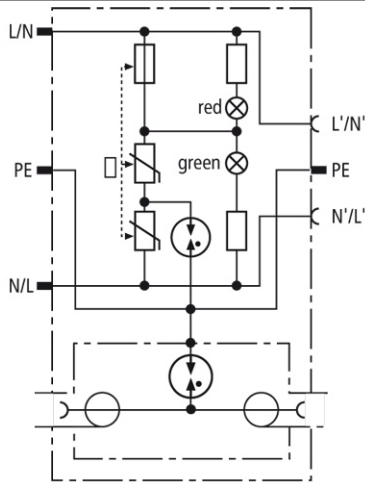


Dimension drawing DPRO TV



Protection for the data side: A gas discharge tube discharges potential surges to PE.



Combined surge protection for power supply and antenna sides of TV-systems, radio systems or video systems. With visual operating state and fault indication.

- Protection for TV or radio applications with a modern design
- Includes adapter for F sockets to IEC terminals
- For use according to the lightning protection zones concept at boundaries 2, 3 and higher

DPRO 230 TV	
Max. continuous operating d.c. voltage [U _C]	60 V
C2 Nominal discharge current (8/20 μs) line-shield (PE) [I _n]	5 kA
Voltage protection level line-shield (PE) for 1 kV/μs C3 [U _p]	≤ 600 V
Insertion loss 0-2400 MHz	≤ 1.5 dB
Operating temperature range	-25°C...+40°C
Degree of protection	IP 20
Connection input / output	F socket / F socket
Earthing by	protective conductor connection
Enclosure material	thermoplastic, UL 94 V-2
Colour	pure white
Test standards	IEC 61643-21
Protection for the power supply side	ITV PRO1
ISPD according to EN 61643-111	IType 3I
ISPD according to IEC 61643-1I	IClass IIII
INominal a.c. voltage [U _N]	I230I V
IMax. continuous operating a.c. voltage [U _C]	I255I V
INominal load current [I _L]	I16I A
INominal discharge current (8/20 μs) L-NI [I _n]	I3I kA
INominal discharge current (8/20 μs) L/N-PEI [I _n]	I5I kA [(L+N)-PE
ICombined impulse (1.2/50 μs - 8/20 μs) L-NI [U _{oc}]	I6I kV
ICombined impulse (1.2/50 μs - 8/20 μs) L/N-PEI [U _{oc}]	I10I kV [(L+N)-PE
IVoltage protection level L-NI [U _p]	I≤ 1.25I kV
IVoltage protection level L/N-PEI [U _p]	I≤ 1.5I kV
IResponse time L-NI [t _A]	I≤ 25I ns
IResponse time L/N-PEI [t _A]	I≤ 100I ns
IMax. mains-side overcurrent protectionI	I16 A gL/gG or B 16 AI
IShort-circuit withstand capability for max. mains-side overcurrent protectionI	I6I kA _{rms} a.c.
ITemporary overvoltage (TOV) L-NI [U _T]	I335I V/5 sec
ITemporary overvoltage (TOV) L/N-PE (1)I [U _T]	I400I V/5 sec
ITemporary overvoltage (TOV) L/N-PE (2)I [U _T]	I1200I V+U ₀ /200 m
IIndication of disconnectori	Ired lightI
IOperating state indicatioi	Igreen lightI
IFor mounting onI	Iplug-in system with earth contact DIN 49440/DIN 49441I

Test standards

IIEC 61643-111

Ordering information

Type DPRO 230 TV

Part No. **909 300**

Packing unit 1 pcs.

We reserve the right to modify design, technology, dimensions, weights and materials according to technical progress. Illustrations are non-binding. Pictures may differ from the modules described.