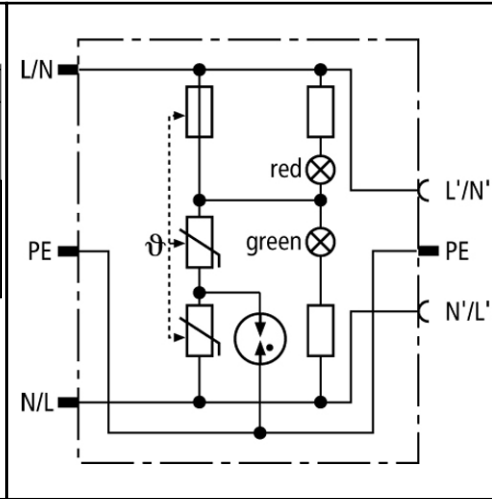


Dimension drawing DPRO 230



Basic circuit diagram DPRO 230



DPRO 230: Surge protective adapter

- Surge protection with monitoring device and disconnecter
- Visual operating state indication (green) and fault indication (red)
- Mains filter (for DEHNpro 230 F Protector only)
- Maximum safety due to confusion-proof Y protection circuit

DPRO 230	
SPD according to EN 61643-11	Type 3
SPD classification acc. to IEC 61643-1	Class III
Nominal a.c. voltage [U _N]	230 V
Max. continuous operating a.c. voltage [U _C]	255 V
Nominal load current a.c. [I _L]	16 A
Nominal discharge current (8/20 μs) [I _n]	3 kA
Total discharge current (8/20 μs) [L+N-PE] [I _{total}]	5 kA
Combined impulse [U _{OC}]	6 kV
Combined impulse [L+N-PE] [U _{OC total}]	10 kV
Voltage protection level [L-N] [U _p]	≤ 1.25 kV
Voltage protection level [L/N-PE] [U _p]	≤ 1.5 kV
Response time [L-N] [t _A]	≤ 25 ns
Response time [L/N-PE] [t _A]	≤ 100 ns
Max. mains-side overcurrent protection	16 A gL/gG or B 16 A
Short circuit withstand capability for mains-side overcurrent protection with 16 A gL/gG	6 kA _{rms}
Temporary overvoltage (TOV) [L-N] [U _T]	335 V / 5 sec.
Temporary overvoltage (TOV) [L/N-PE] (I) [U _T]	400 V / 5 sec.
Temporary overvoltage (TOV) [L/N-PE] (II) [U _T]	1200 V + U ₀ / 20
Indication of disconnecter	red light
Operating state indication	green light
Operating temperature range [T _U]	-25°C...+40°C
For mounting on	plug-in system with earth contact according to DIN 49440 / DIN 49441
Enclosure material	pure white thermoplastic, UL 94 V-2
Degree of protection	IP 20
Dimension	128 x 71 x 40 mm
Ordering information	
Type	DPRO 230
Part No.	909 230
Packing unit	1 pcs.

We reserve the right to modify design, technology, dimensions, weights and materials according to technical progress. Illustrations are non-binding. Pictures may differ from the modules described.