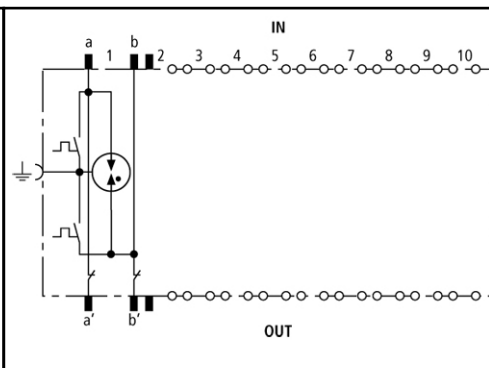
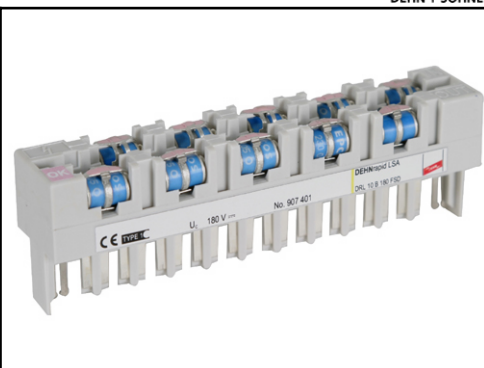


Dimension drawing DRL 10 B FSD



SPD block with 3-pole gas discharge tubes with fail-safe function. Integrated isolating contacts for plugging additional elements.



- **Lightning current arrester for use as plug-in SPD block with integrated LSA disconnection block function**
- **Visual fault indicator of the gas discharge tubes**
- **Extendible with DRL protective plugs to a combined lightning current and surge arrester**
- **For installation in conformity with the lightning protection zones concept at the boundaries from 0_A 1 and higher**

DRL plug-in SPD block (10 pairs) with lightning current carrying capacity, for nearly all types of applications. Extendible with DRL protective plug to a combined lightning current and surge arrester. The integrated disconnection block contacts allow for testing, measuring and patching at plugged-in protection. The gas discharge tubes have a fail-safe function with visual indicator for potential faults.

DRL 10 B 180 FSD

SPD class	TYPE C
Fault indication	visually by colour change
Nominal voltage [U_N]	180 V
Max. continuous operating d.c. voltage [U_C]	180 V
Max. continuous operating a.c. voltage [U_C]	127 V
Nominal current [I_N]	0.4 A
D1 Total lightning impulse current (10/350 μs) [I_{imp}]	5 kA
D1 Lightning impulse current (10/350 μs) per line [I_{imp}]	2.5 kA
C2 Total nominal discharge current (8/20 μs) [I_n]	10 kA
C2 Nominal discharge current (8/20 μs) per line [I_n]	5 kA
Voltage protection level line-line for I_{imp} D1 [U_p]	≤ 500 V
Voltage protection level line-PG for I_{imp} D1 [U_p]	≤ 500 V
Voltage protection level line-line for 1 kV/μs C3 [U_p]	≤ 500 V
Voltage protection level line-PG for 1 kV/μs C3 [U_p]	≤ 450 V
Series impedance per line	≤ 0.005 ohms
Capacitance line-line [C]	≤ 5 pF
Capacitance line-PG [C]	≤ 5 pF
Fail-safe performance	gas discharge tube with spring contacts
Operating temperature range	-40°C...+80°C
Degree of protection	IP 10
Pluggable into	LSA disconnection block 2/10
Earthing via	mounting frame
Enclosure material	polyamide PA 6.6
Colour	grey
Test standards	IEC 61643-21
Approvals, Certifications	VdS

Ordering information	
Type	DRL 10 B 180 FSD
Part No.	907 401
Packing unit	10 pcs

We reserve the right to modify design, technology, dimensions, weights and materials according to technical progress. Illustrations are non-binding. Pictures may differ from the modules described.