

Equipotential Bonding Busbar K12, with snap-on terminals

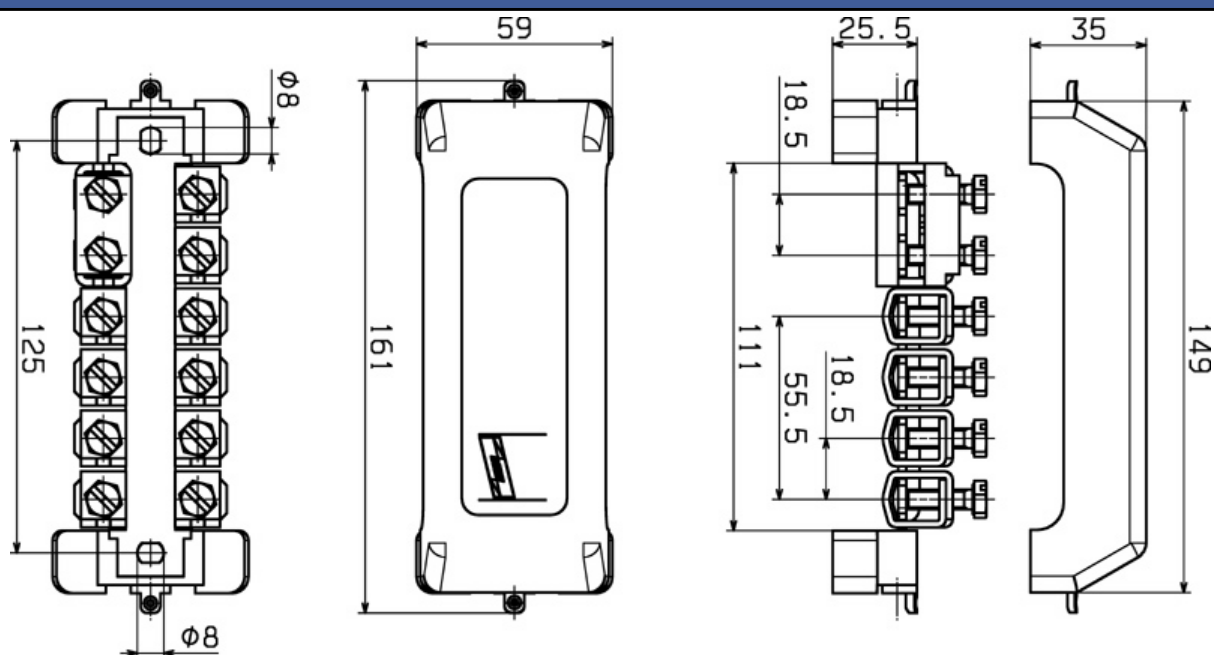
For main equipotential bonding according to DIN VDE 0100 Part 410/540 and lightning equipotential bonding according to DIN EN 62305-3 (VDE 0185-305-3)

Technical data to part no.: 563 201

UV-stabilised type



Connections (solid or stranded)	10 x 2.5-95 mm ²
Connections Rd	or 10 x -10 mm
Connection Fl	1 x -30x4 mm
Contact bar	Cu/gal Sn
Cross section	30 mm ²
Fixing frames	P (black)
Protective cover	P (black / sealable)
Standard	DIN EN 50164-1



Ordering information

Type	Part No.	Packing unit
Equipotential Bonding Busbar K12, with snap-on terminals	563 201	1pcs.

We reserve the right to modify design, technology, dimensions, weights and materials according to technical progress. Illustrations are non-binding. Pictures may differ from the modules described.