

Double Box with TwinCONTACT - Part no. 1647



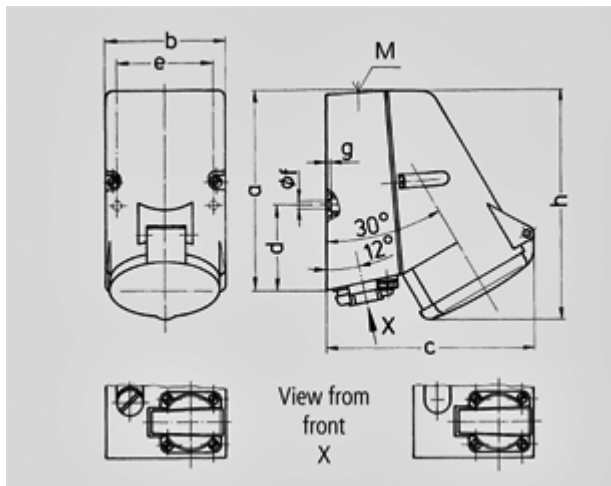
- screwless spring terminals
- CEE and receptacle SCHUKO® in one enclosure

Protection type IP 44

 Fitted with 1 CEE 16A, 4p, 230V
 1 SCHUKO® 16A, 230V

 Ampere 16A
 Poles 4p
 Voltage 230V
 Hertz 50-60 Hz

Std. Pack. 5 Qty.



Drawing	Amp.	16		32
		Poles		5
1 MB 354		4	5	5
Dim. in mm	a	141	141	141
	b	85	85	85
	c	139	139	153
	d	61	61	61
	e	68	68	68
	f	5,3	5,3	5,3
	g	4	4	4
	h	145	145	162
	M	25	25	32
	Max. cable diam. (mm)	18	18	25
	Terminal for cond. cross section (mm ²) min.-max.	1.5	1.5	2.5
		-4	-4	-10