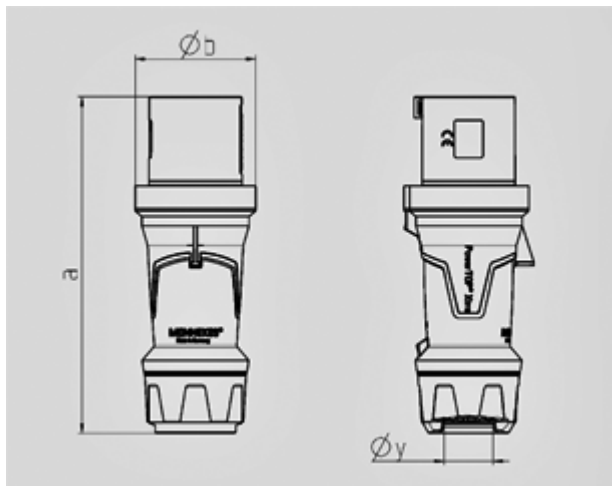


Plug PowerTOP® Xtra - Part no. 13106


- screw terminals
- rubberised grip area
- frame terminals
- highly heat resistant contact carrier
- nickel plated contacts
- cable gland and sealing
- strain relief and protection against kinking
- enclosure with thread lock
- two safety slides

Protection type	IP 44
Ampere	63A
Poles	4p
Voltage	400V
Hertz	50-60Hz
Earth position	6h
Contact	nickel plated contacts, highly heat resistant contact carrier
Connection technology	Screw terminals

Std. Pack. 5 Qty.



Drawing	Amp.	63		
		Poles		
2 MB 226		3	4	5
Dim. in mm	a	250	250	250
	b	90	90	90
	y	36	36	36
Terminal for cond. cross		6	6	6
section (mm ²) min.-max.		—16	—16	—16