

Description



- Twilight switch with integrated light sensor
- Time function for freely-programmable night switch-off (daily program)
- Adjustable On and Off switching delay
 - to avoid faulty operation caused by lightning, car headlights etc.
- Easy programming philosophy
- Preset night switch-off (23.00 OFF/5.00 ON), lux values and switch delay
- Automatic summer/winter time correction
- Cable feed from the back and from below
 - Cover with snap-on function when opening for the straightforward installation of the device
- Captive screws
- Large terminal area
- Brightness value can be set without opening the device
- Integrated replaceable lithium battery enables programming before installation
- Large light exposure angle (approx. 180 degrees)
- Switching brightness and switching delay can be set digitally for switching On and Off separately
- Test button
 - for monitoring installation independent of set brightness value. The button can be accessed without opening the device
- Time function can be deactivated

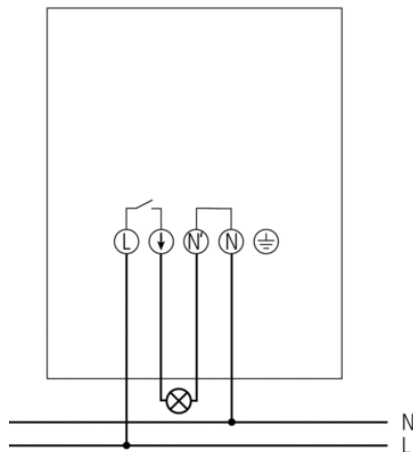
Technical data

Operating voltage	220 – 230 V AC
Frequency	50 – 60 Hz
Number of channels	1
Stand-by consumption	0,6 W
Program	Daily program
Setting range brightness	2 – 200 lx
Preset brightness value	15 lx
Switch-on delay	0 – 10 min
Switch-off delay	0 – 10 min
Type of contact	NO contact
Switching output	Not potential-free (230 V)
Installation type	Wall installation or mast bracket
Type of connection	Screw terminals
Keyboards	3 touch buttons, 1 test button
Shortest switching times	1 min
Power reserve	1,5 years at 20 °C
Switching capacity	16 A (at 230 V AC, $\cos \varphi = 1$), 10 AX (at 230 V AC, $\cos \varphi = 0.3$)
Incandescent lamp load	2300 W
Halogen lamp load	2300 W
Fluorescent lamp load (conventional) not corrected	2300 VA
Fluorescent lamp load (conventional) series-corrected	2300 VA
Fluorescent lamp load (conventional) lead-lag circuit	2300 VA

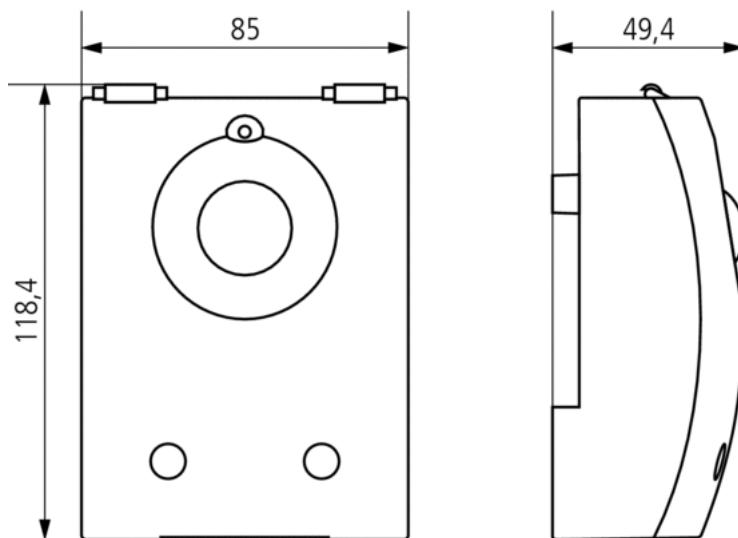
Article number: 1290700

Fluorescent lamp load (conventional) parallel-corrected	400 VA 42 µF
energy saving lamps	9 x 7 W, 7 x 11 W, 7 x 15 W, 7 x 20 W, 7 x 23 W
Test approval	VDE
Housing and insulation material	High-temperature resistant, self-extinguishing thermoplastic
Ambient temperature	-35 °C ... +55 °C
Type of protection	IP 55
Protection class	II

Connection example



Scale drawings



Accessories

Adapter plate LUNA star

- Article number: 9070486
[Details ▶ www.theben.de](http://www.theben.de)

